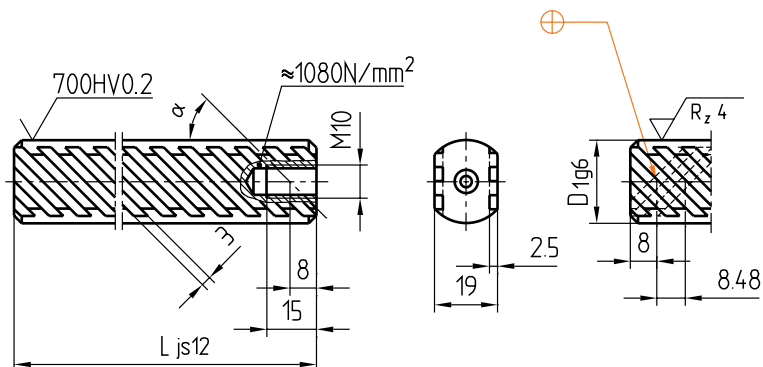


Z1761/...

Mat.: 1.2312/1080 N/mm²



► Info



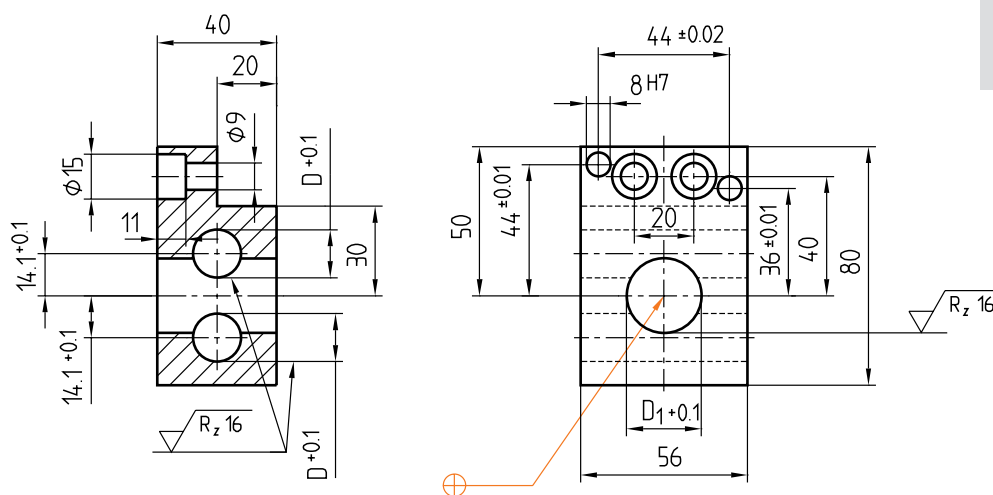
D ₁	L	α	Nr./No.
25	125	45	Z1761/25x125/45
	160		160/45
	200		200/45

Z1764/...

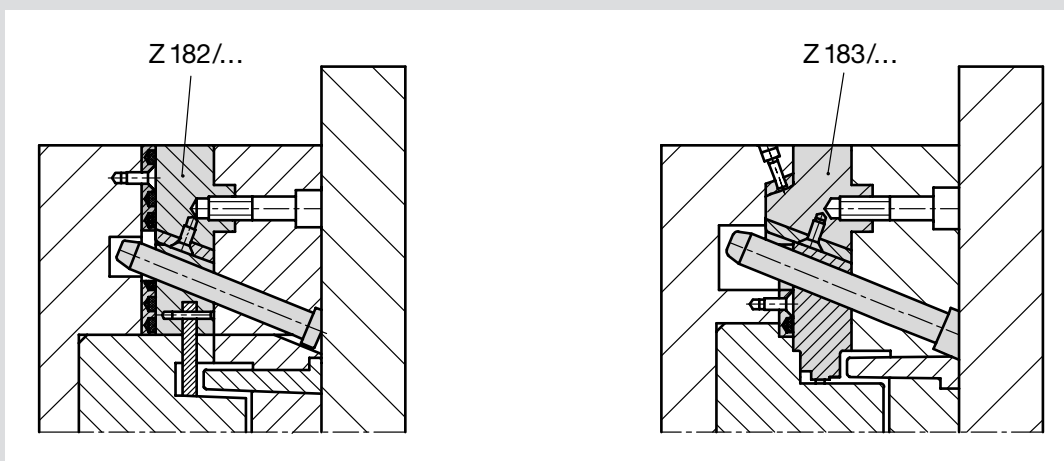
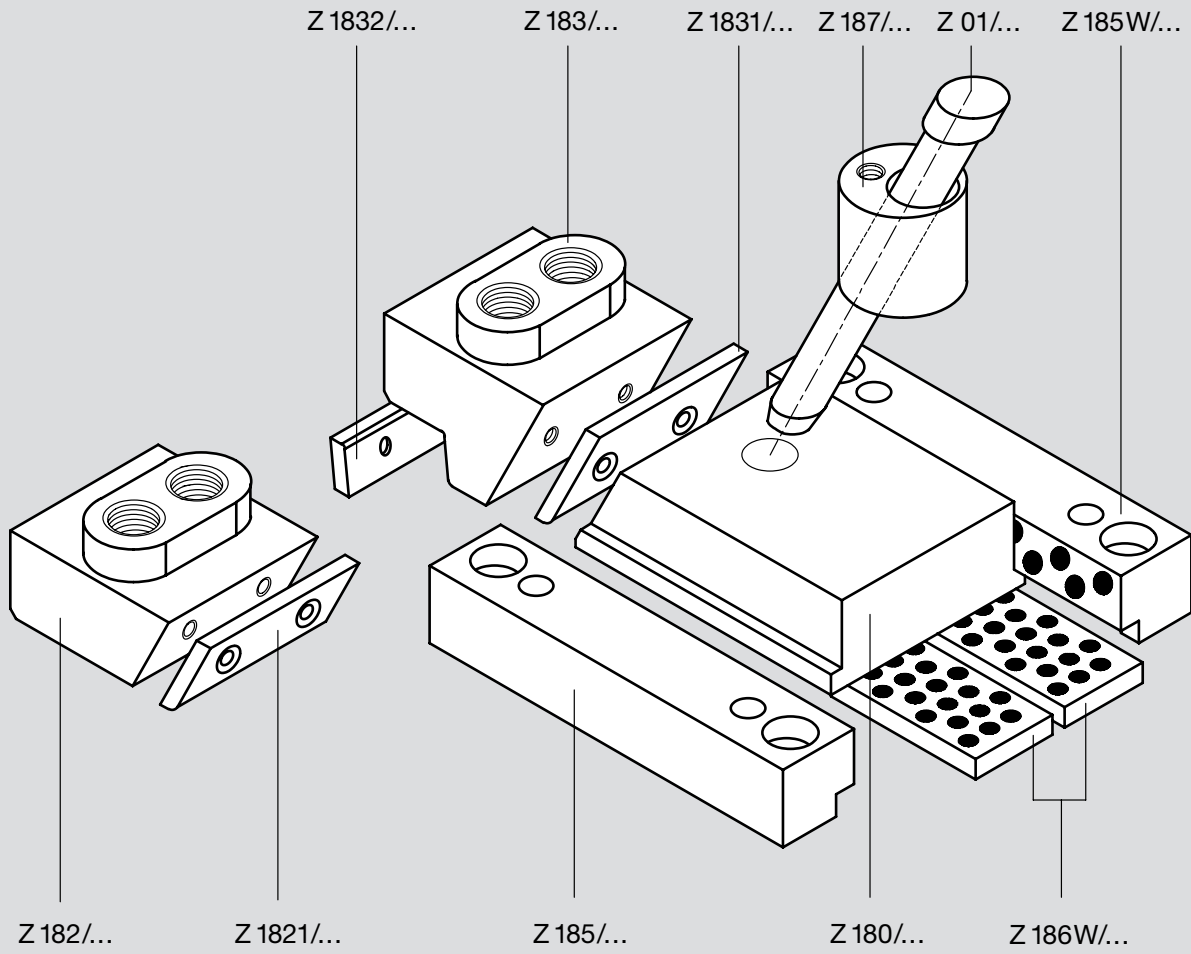
Mat.: 1.2767/54 + 2 HRC



► Info



D ₁	D	Nr./No.
25	16	Z1764/25/16



This is trial version
www.adultpdf.com